

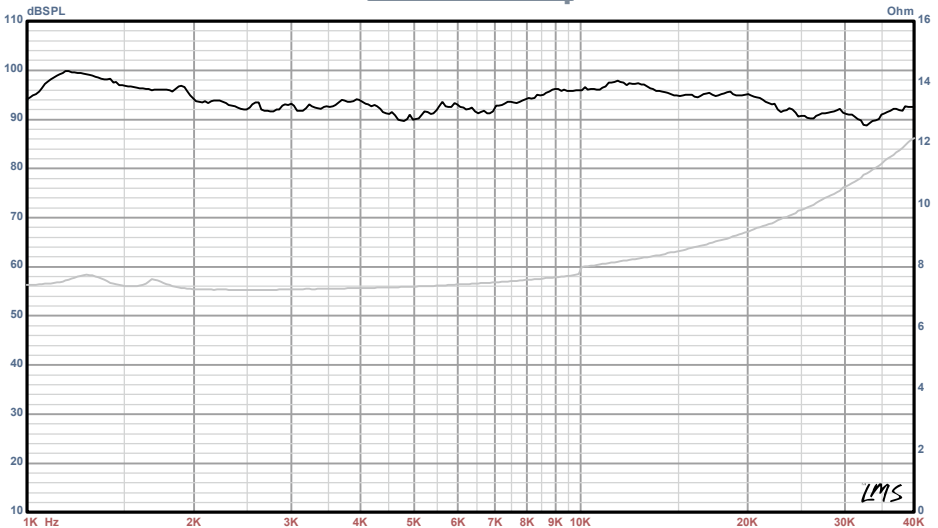


NeoX1.0 ribbon tweeter

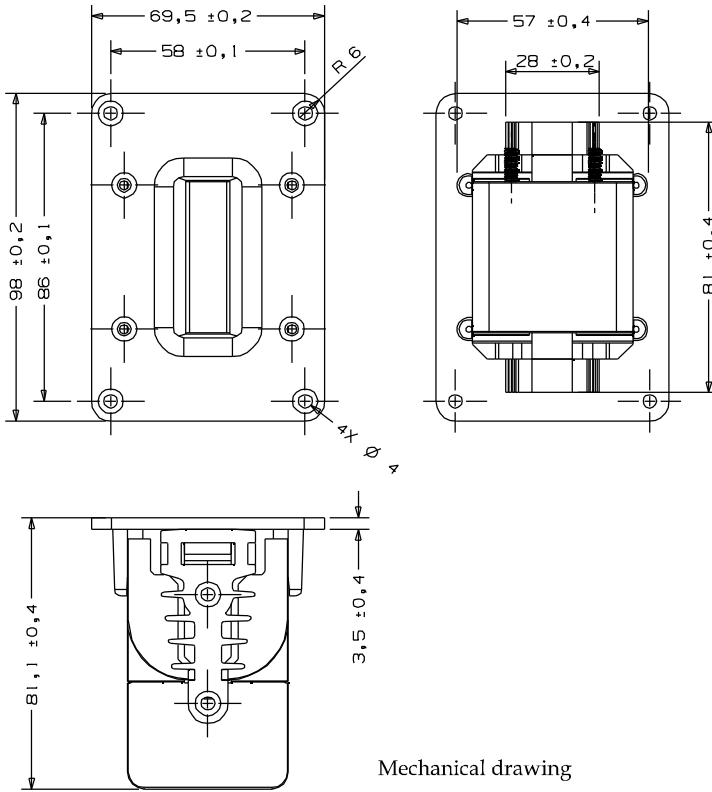
Feature

- Fountek's 3-rd generation ribbon driver technology
- 12mm width enforced sandwich ribbon diaphragm
- Higher power handling, lower distortion, very fast transition
- Strong Neodymium magnet
- Built-in impedance convertor

SPL vs Freq



on-axis frequency response



Mechanical drawing

Parameter	
Sensitivity	92dB/1m/2.83v
Power handling	20W nominal, 38W max
Frequency range	1,200-40,000Hz
Nominal impedance	8 ohm
DCR	0.02 ohm
Ribbon dimension	12x45x0.015mm
Effective ribbon area	720 square millimeter
Ribbon weight	20 milligram
Gap flux	0.4 Telsa average
Gap height	13 millimeter
Recommend crossover frequency	2,500Hz with 2-order
Net. Weight	630 gram